



AURUM CANTUS

LOUDSPEAKER
OWNER'S MANUAL

JINLANG AUDIO CO., LTD.

HONOURABLE PURCHASER

Congratulations on purchasing your AURUM CANTUS loudspeaker system. You will enjoy years of trouble free Hi-End sound reproduction from it. In order to achieve optimal performance, please read this manual carefully before use. Please keep this manual in a safe and an appropriate place for future reference.

MELODY M-103S LOUDSPEAKER

MELODY M-103S incorporates a pure aluminum ribbon loudspeaker that has first class design, great value and world-class performance. It offers a combination of real natural sound, graceful timbre making the MELODY M-103S suitable for all music taste.

- A pure aluminum ribbon tweeter.
- Sandwich cone designed woofer with special magnet system.
- High quality MDF cabinet's surface is finished in expensive hardwood, non-gloss paint finish.
- Perfect crossover design optimized for smooth transition between driver to driver.
- Precision-machined gold-plated copper connectors.

FEATURES

MELODY M-103S LOUDSPEAKERS INCORPORATE THE FOLLOWING MAIN COMPONENTS:

CABINET

By utilizing thick high quality MDF, the front baffle is designed to be low diffraction of backward inclined. The surface of cabinet is finished in expensive hardwood non-gloss paint.

TWEETER

Pure aluminum ribbon tweeter with magnet shielding. The size of wave-shaped aluminum ribbon is 100mm L×8.5mm W×0.01mm T (3.94"L×0.335"W×0.0004"T), easily field-replaceable for the aluminum ribbon.

WOOFER

1×18cm/7". Aluminum frame, the sandwich cone of Non-woven carbon fiber + Cell + Non-woven carbon fiber, 5cm/2" copper clad aluminum voice coil with flat wire, the special magnet system with Faraday ring and demodulation coil.

CROSSOVER

Woofer utilizes the second order filter design and the tweeter utilizes the third order filter design, the frequency of the crossover is 2.3 kHz. High quality crossover components: M-Cap MKP capacitor and AURUM CANTUS MKP capacitor, metal oxide film resistor of military industrial standard, and high purified OFC inductors.

CONNECTORS

2PCS gold-plated copper connectors.

CONNECTIVE CABLE

Tweeter and woofer utilize OCC Teflon insulated cable.

SPECIFICATION

Design: 2-way vented-box.

Frequency range: 40Hz-40kHz.

Sensitivity: 88dB/W/m

Impedance: 8 ohms (minimum 6.4 ohms)

Power requirement: 50-200W recommended.

Dimensions(HWD): 45cm×22cm×35.5cm(17.72"×8.66"×13.98"), the depth is exclusive of grille.

Net weight: 13.6kgs/pc (29.98lb/pc)

PRODUCT PURPOSE

To be used in high quality HiFi music system and can also be combined with home theater system.

THE PLACEMENT AND INSTALLATION OF LOUDSPEAKER

The size of the room, the treatment of the wall and floor surfaces, the position of furniture and the placement location of the loudspeakers in the room are all factors to achieve optimal sound reproduction. Please carefully read the following references:

- It is recommended the loudspeakers and the listener to be in the direction of long axis. **Please see the fig.1.** If the loudspeakers and listener are located in the direction of short axis, the sound quality will not be as refined due to wall reflections. If you have no choice to set up this way, you may need to do some sound absorbing treatment on the front and back walls. The shape and size of the room have a great influence in the outcome. You should experiment with positioning a number of times to find the SWEET SPOT.
- The optimum height for the loudspeakers placed on the floor, the center of the aluminum ribbon tweeter should be on the same level with your ear when you sit on your accustomed seat.

Please see the fig.2.

- Do not place the loudspeakers near walls or corners. Usually, the distance between the back of the loudspeaker and the wall is a minimum of 1m/ 40"; the distance from the side of the loudspeaker to the nearest wall is a minimum of 0.8m/ 32". Of course, the optimum position will depend on room size and layout. Please assure that the optimum position can be found as long as you move the loudspeaker several times.
- If you position the loudspeakers too close to the wall or corners, it will increase the bass response and at the same time becomes cloudy and will loose imaging.
- If the wall and floor surface is too smooth, it will increase sound reflections and lengthen the reverberation time and hence makes the sound muddy. If you meet these circumstances, you must do some partial treatment to the wall and floor. Sound quality will improve if you install a wall hanging and place a rug in front of the loudspeakers on the floor.
- The loudspeaker should be located on a flat stable floor; spikes must be installed and adjusted to suit.

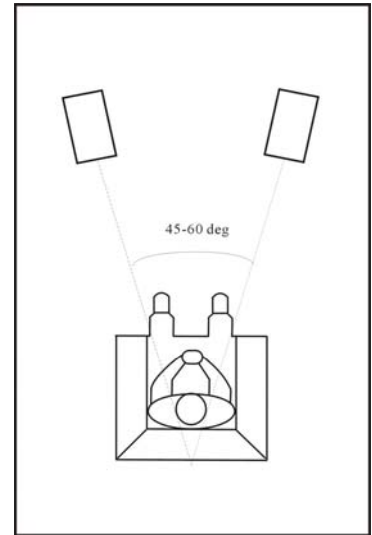


fig. 1

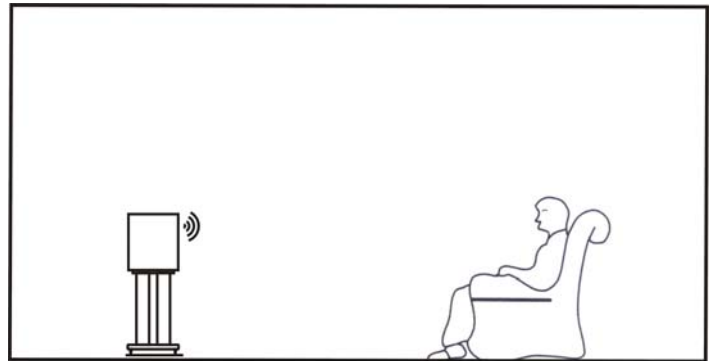


fig.2

CONNECTING LOUDSPEAKERS TO YOUR POWER AMPLIFIER

It is very simple to connect the loudspeakers to the amplifier, but the cable that connects the loudspeakers with the amplifier can have a significant effect on the overall sound quality of your audio system. So please choose high quality loudspeaker cables that can match your audio equipment perfectly, ask your AURUM CANTUS dealer or distributor for their recommendation.

MELODY M-103S loudspeakers have two connectors on the rear panel. And each connector can accept spade plugs, banana plugs or bare wire.

Make sure the output terminals “+” or “red” on the amplifier are connected to the connectors “+” or “red” on the loudspeakers, likewise, make sure the output terminals “-” or “black” on the amplifier are connected to the connectors “-” or “black” on the loudspeakers, and then please double check the connections are correct and stable.

NOTE:

BEFORE POWER UP, YOU MUST REMOVE THE PROTECTIVE MEMBRANE FROM THE ALUMINUM RIBBON TWEETER.

THE OPERATION APPROACHES POWER UP

- Firstly, switch on the power of the sound source equipment (CD, SACD, DVD—Audio, LP, DVD ect) , then switch on the power source of the amplifier (you must assure that the volume control of the amplifier is set in the lowest (0) position), lastly raise the output power of the amplifier slowly after you inserted the software into the sound source equipment until you are satisfied with the volume.
When you want to shut down the audio system, please firstly dial the volume to the lowest (0) position, and then switch off the power source of the amplifier, lastly switch off the power of the sound source equipment.
- Please adjust the volume with care when you are playing dynamic music. If the sound pressure level is too strong, the instant peak value of the dynamic music may cause the amplifier to distort and can cause damage to the loudspeakers.
- If you purchased a low-priced amplifier, please use it with care.

LOUDSPEAKERS BREAK IN PERIOD

After testing, the pure aluminum ribbon loudspeaker requires at least 80 hours of break in to obtain the normal working condition. In order to achieve the optimum performance sooner, we recommend the loudspeakers break in as continuously as possible.

CLEANING YOUR LOUDSPEAKERS

- Please do remember not to use a vacuum cleaner on or near the loudspeakers, otherwise it could cause damage to the diaphragm of the aluminum ribbon tweeter.
- Please remove the grille before cleaning the grille cloth.
- Use a damp soft cloth to clean the cabinets. We recommend maintaining an occasional furniture grade wax and polish the wood surface of the cabinet.

ATTENTION

- The magnetic field of the aluminum ribbon tweeter is very powerful, so please keep any magnetizer away from the front plate of the loudspeaker at least 20cm/8” to avoid loudspeaker damage due to the strong magnetic attraction.
- Placing the loudspeaker near a television may cause a magnetic interference. Place the speaker about 90cm/35” away from your television when you combine your loudspeakers with a home theater system.
- Loudspeakers should be placed away from heat sources and prevent direct sunlight on the loudspeakers, otherwise, this can cause life reduction of the drivers and aging of the cabinet finish.
- Make sure that you have read and understand the information in this manual. If there is anything you don’t understand or are unsure of, please contact your AURUM CANTUS dealer or distributor.
- Now you have responsibility to set up your loudspeakers following the recommendations set out in this manual.

WARRANTY AND SERVICE

These loudspeakers are warranted to be free of manufacturing defects for three [3] years after the original date of purchase.

If the loudspeakers should require service during the warranty period, we will repair or replace at our discretion.

The warranty does not apply to damage caused by abuse or wrong use to the loudspeaker, and does not apply to accidental damage and neglect or damaged during the course of transportation, unauthorized modifications or repairs by people who are not permitted by an AURUM CANTUS dealer or distributor.

Please contact your AURUM CANTUS dealer or distributor if you have a service requirement.

Please use the original packaging when you ship the loudspeakers to an AURUM CANTUS dealer or distributor for servicing. If you did not save the original packaging, please inform your dealer or distributor, and they will send you replacement packaging. The packaging will be charged to you at cost price.

All freight and insurance will be paid by the user.

PENGLAI JINLANG AUDIO CO.,LTD.

**NO.1 XIANQIAO STREET,BEIGUAN ROAD,
PENGLAI P.R. OF CHINA**

P.C.: 265600

TEL: 86-535 5643369

FAX: 86-535 5610809

E-mail: aurumcantus@aurumcantus.com

Http://www.aurumcantus.com